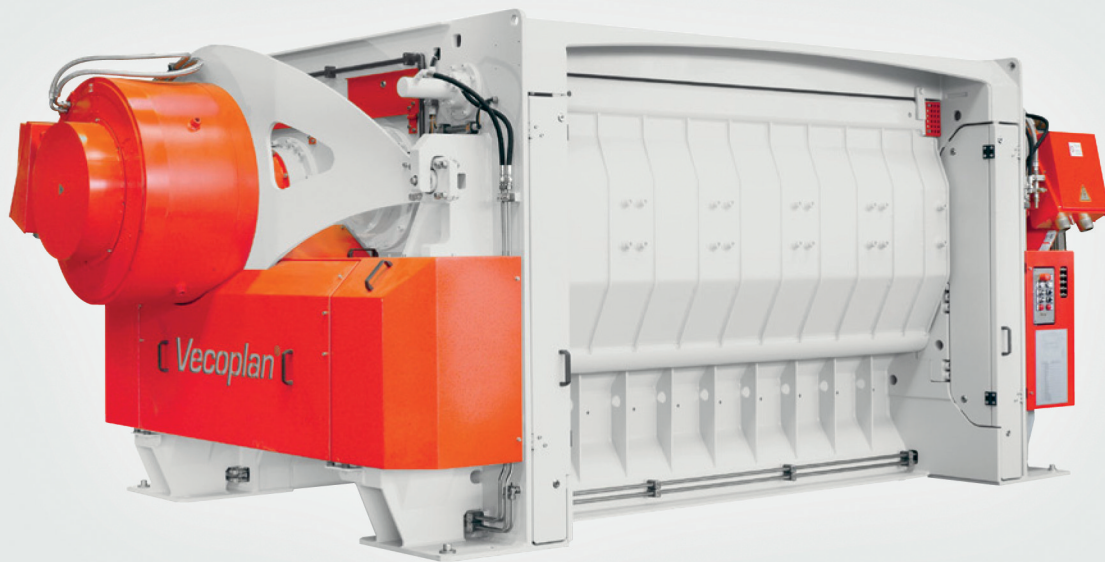


VNZ 250 XL-T



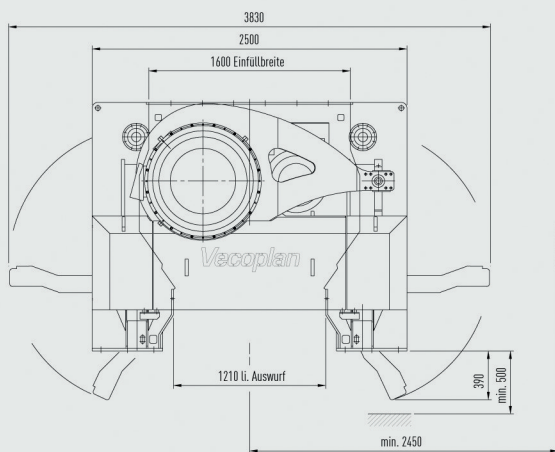
APPLICATION

For difficult materials with foreign-parts and tramp metal such as pallets, boxes, cable drums, demolition timber, pieces of furniture, chipboard, domestic or commercial waste and refuse derived fuels.

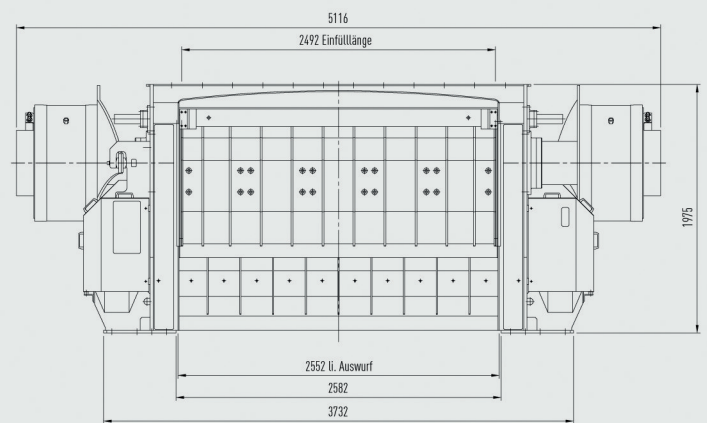
Vecoplan[®]

VNZ 250 XL-T

Side view



Front view



DETAILS

		VNZ 250 XL-T
Infeed opening	mm	2492 x 1600
Rotor dimensions	mm	2 x 640 x 2492
Number of tools	qty	2 x 60 / 76
Rotor speed	rpm	0 - 230 (320)
Motor power	kW	2 x 134 (2 x 203)
Weight approx.	t	24,5
Overall dimensions	cm	512 x 250 x 198

Subject to technical changes without notice / Detailed dimension drawings and load data available on request / Dated: 01/2013